

PRODUCT DATASHEET

Panasonic

Product Name : HDMI Connector Mechanism+ Cover

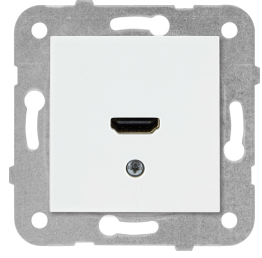
Product Code : PN.T04702 XX

Product Series : Karre Plus

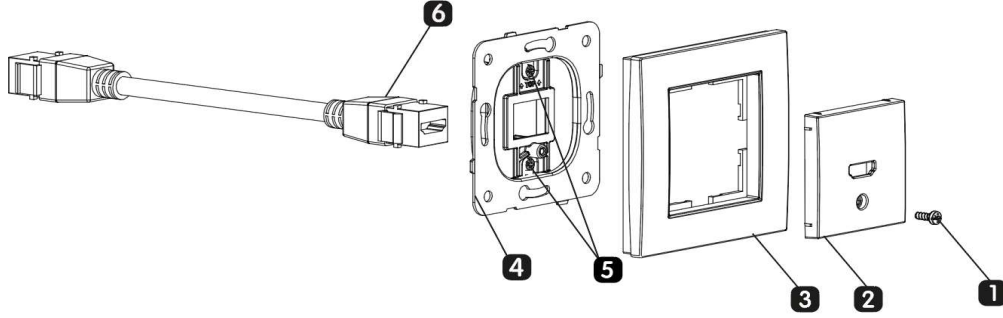
Material : ABS (Acrylonitrile Butadine-Styrene)

Colour Options XX : WH: White, DG: Dark Grey, SL: Silver, BL: Black

Certificates : CE, WEEE

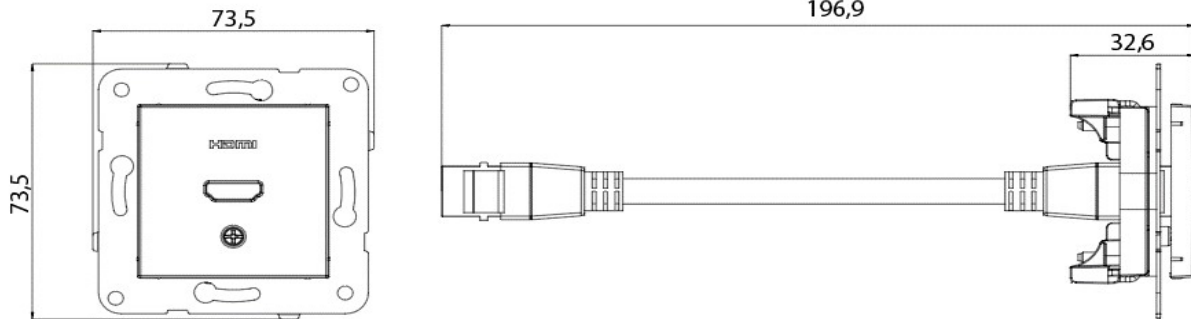


Mounting:



- 1) Cover Screw
- 2) Cover
- 3) Frame
- 4) Mechanism
- 5) Claw Screw
- 6) HDMI Connector

Dimensions:



Panasonic Life Solutions Turkey Elektrik.San. ve Tic. A.Ş.
Abdurrahmangazi Mah. Ebubekir Cad. No: 44 Sancaktepe / İstanbul Tel: 0216 564 55 55 Fax: 0216 564 55 44
Istr.panasonic.com