

PRODUCT DATASHEET

Panasonic

Product Name :	Double Data RJ45 CAT6 Mechanism+Cover
Product Code :	PN.T04072 XX
Product Series :	Karre Plus
Technical Specifications:	
Material of Cover:	ABS (Acrylonitrile Butadine-Styrene)
Colour Options XX :	WH: White, DG: Dark Grey, SL: Silver, BL: Black
Certificates :	CE, WEEE



Product Details :

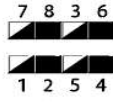
CAT6 data socket is suitable for 250 MHz data transmission.

CAT6 complies EIA/TIA standards and 568A-568B supports EIA/TIA.

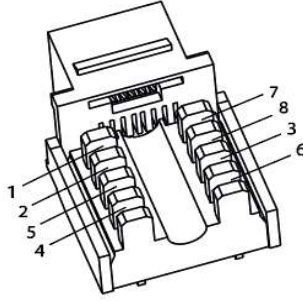
Diameter of conductor to be used in numeris socket is between the range of 0.40 mm - 0.64 mm.

Wiring and Dimension:

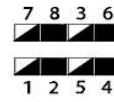
568 A



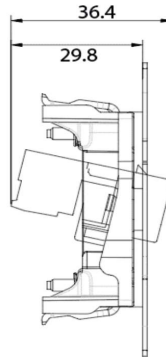
- 1- White - Green
- 2- Green
- 3- White - Blue
- 4- Blue
- 5- White - Orange
- 6- Orange
- 7- White - Brown
- 8- Brown



568 B



- 1- White - Orange
- 2- Orange
- 3- White - Blue
- 4- Blue
- 5- White - Green
- 6- Green
- 7- White - Brown
- 8- Brown



Panasonic Life Solutions Turkey Elektrik.San. ve Tic. A.Ş.

Abdurrahmangazi Mah. Ebubekir Cad. No: 44 Sancaktepe / İstanbul Tel: 0216 564 55 55 Fax: 0216 564 55 44
Istr.panasonic.com