

PRODUCT DATASHEET

Panasonic

Product Name : 2P+E Socket with Lid Mechanism+Cover

Product Code : PN.T03102 XX

Product Series : Karre Plus

Technical Specifications:

Rated Current : 16AX, 250V~

Terminal Type : Quick Connection

Material of Cover: ABS (Acrylonitrile Butadine-Styrene)

Colour Options XX : WH: White, DG: Dark Grey, SL: Silver, BL: Black

Certificates : VDE, EAC, WEEE

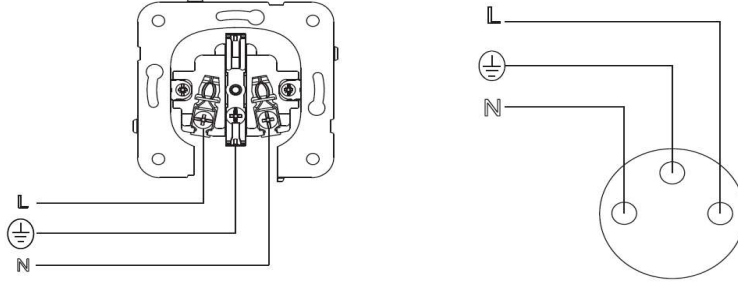
Cable Standard:

Cable Diameter : 1,5mm²-2,5mm²

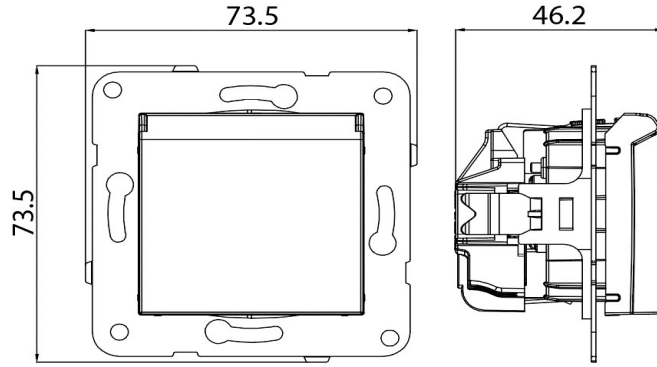
Applicable Cable : Solid Wire, Stranded Wire



Wiring and Circuit Diagram:



Dimensions:



Panasonic Life Solutions Turkey Elektrik.San. ve Tic. A.Ş.
Abdurrahmangazi Mah. Ebubekir Cad. No: 44 Sancaktepe / İstanbul Tel: 0216 564 55 55 Fax: 0216 564 55 44
Istr.panasonic.com