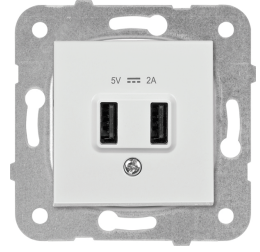


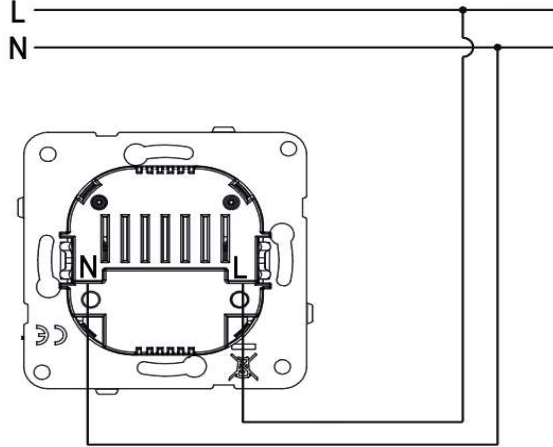
## PRODUCT DATASHEET

# Panasonic

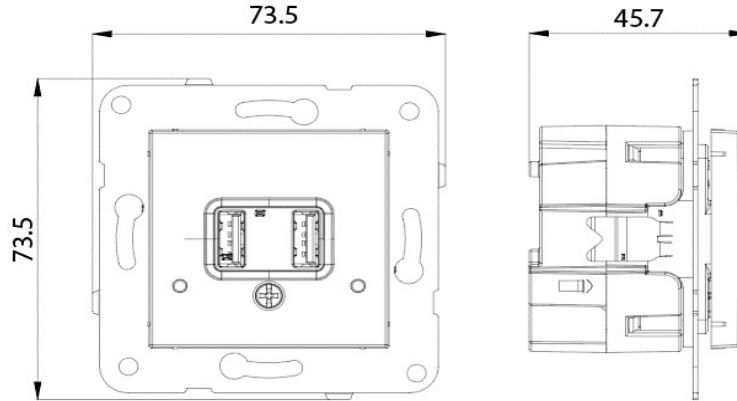
<b>Product Name :</b>	5V 2A USB Socket Mechanism+Cover
<b>Product Code :</b>	PN.T02312 XX
<b>Product Series :</b>	Karre Plus
<i>Input Voltage</i>	230V AC $\pm$ 10 %50Hz
<i>Output Voltage</i>	5V DC $\pm$ %5, 2.0A
<i>Operating Temperature</i>	10°C ... +40°C
<b>Colour Options XX :</b>	WH: White, DG: Dark Grey, SL: Silver, BL: Black
<b>Certificates :</b>	CE, EAC, WEEE



### Wiring Diagram:



### Dimensions:



Panasonic Life Solutions Turkey Elektrik.San. ve Tic. A.Ş.  
Abdurrahmangazi Mah. Ebubekir Cad. No: 44 Sancaktepe / İstanbul Tel: 0216 564 55 55 Fax: 0216 564 55 44  
Istr.panasonic.com