

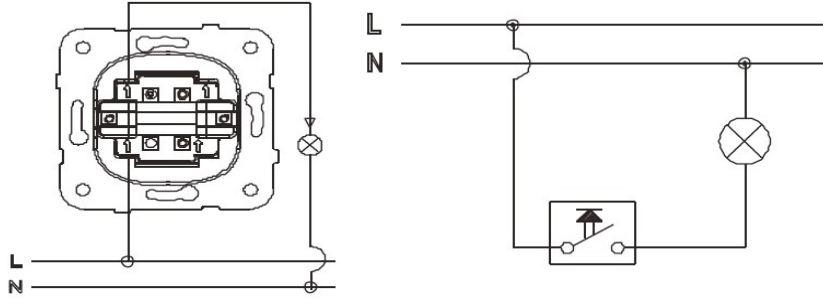
PRODUCT DATASHEET

Panasonic

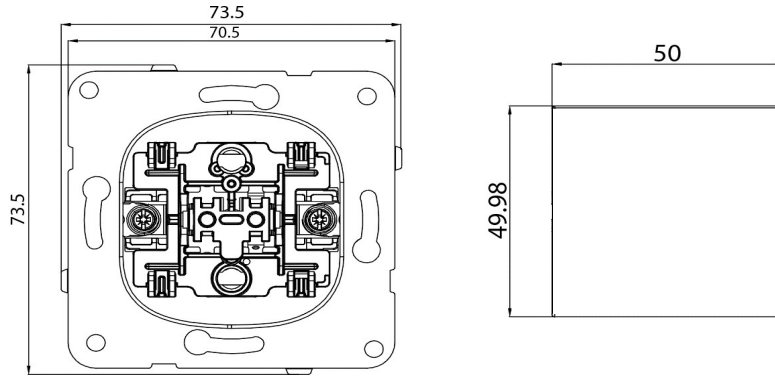
Product Name :	Push Button Mechanism+Button
Product Code :	PN.T01162 XX
Product Series :	Karre Plus
Technical Specifications:	
<i>Rated Current :</i>	10AX, 250V ~
<i>Terminal Type :</i>	Quick Connection
Material of Button:	ABS (Acrylonitrile Butadine-Styrene)
Colour Options XX :	WH: White, DG: Dark Grey, SL: Silver, BL: Black
Certificates :	VDE, EAC, CE, WEEE
Cable Standard:	
<i>Cable Diameter :</i>	1mm ² -2,5mm ²
<i>Applicable Cable:</i>	Solid Wire, Stranded Wire



Wiring and Circuit Diagram:



Dimensions:



Panasonic Life Solutions Turkey Elektrik.San. ve Tic. A.Ş.
 Abdurrahmangazi Mah. Ebubekir Cad. No: 44 Sancaktepe / İstanbul Tel: 0216 564 55 55 Fax: 0216 564 55 44
 Istr.panasonic.com