

## PRODUCT DATASHEET

# Panasonic

**Product Name :** Two Gang One Way Switch Mechanism+Button

**Product Code :** PN.T01092 XX

**Product Series :** Karre Plus

**Technical Specifications:**

*Rated Current :* 10AX, 250V~

*Terminal Type :* Quick Connection

**Material of Button:** ABS (Acrylonitrile Butadine-Styrene)

**Colour Options XX :** WH: White, DG: Dark Grey, SL: Silver, BL: Black

**Certificates :** VDE, EAC, CE, WEEE

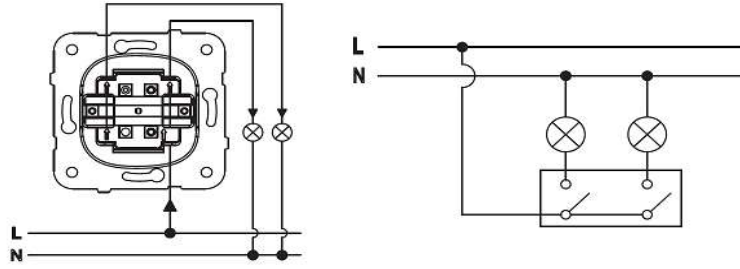
**Cable Standard:**

*Cable Diameter :* 1mm<sup>2</sup>-2,5mm<sup>2</sup>

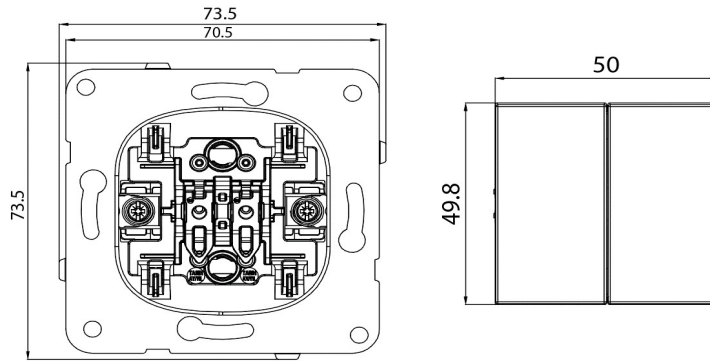
*Applicable Cable:* Solid Wire, Stranded Wire



**Wiring and Circuit Diagram:**



**Dimensions:**



Panasonic Life Solutions Turkey Elektrik.San. ve Tic. A.Ş.

Abdurrahmangazi Mah. Ebubekir Cad. No: 44 Sancaktepe / İstanbul Tel: 0216 564 55 55 Fax: 0216 564 55 44

lstr.panasonic.com