

**PRODUCT DATA SHEET**

**Panasonic**

**Product Name :** Intermediate Switch Mechanism+Button

**Product Code :** PN.T01052 XX

**Product Series :** Karre Plus

**Technical Specifications :**

*Rated Current :* 10AX, 250V~

*Terminal Type :* Quick Connection

*Material of Button :* ABS (Acrylonitrile Butadiene-Styrene)

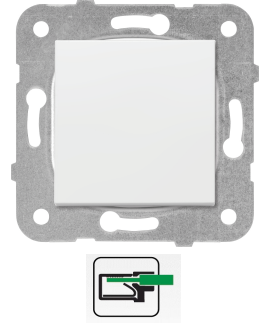
**Certifications :** VDE, EAC, CE, WEEE

**Colour Options XX :** WH: White, DG: Dark Grey, SL: Silver, BL: Black

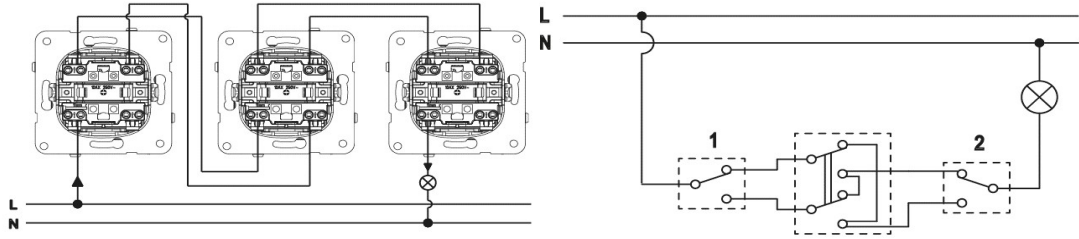
**Cable Standard:**

*Cable Diameter :* 1mm<sup>2</sup>-2,5mm<sup>2</sup>

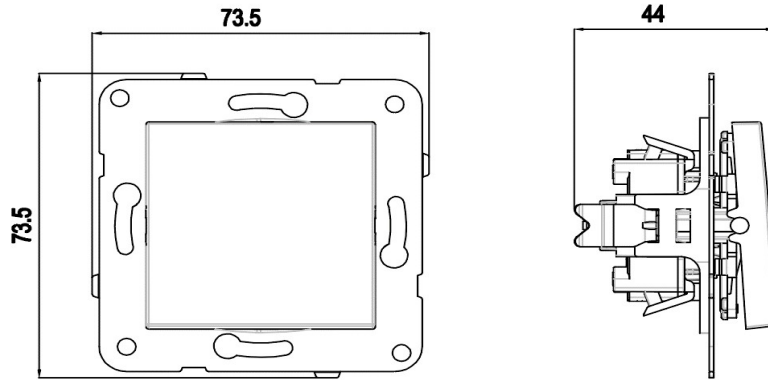
*Applicable Cable:* Solid Wire, Stranded Wire



**Wiring and Circuit Diagram :**



**Dimensions :**



Panasonic Life Solutions Turkey Elektrik.San. ve Tic. A.Ş.

Abdurrahmangazi Mah. Ebubekir Cad. No: 44 Sancaktepe / İstanbul Tel: 0216 564 55 55 Fax: 0216 564 55 44

Istr.panasonic.com